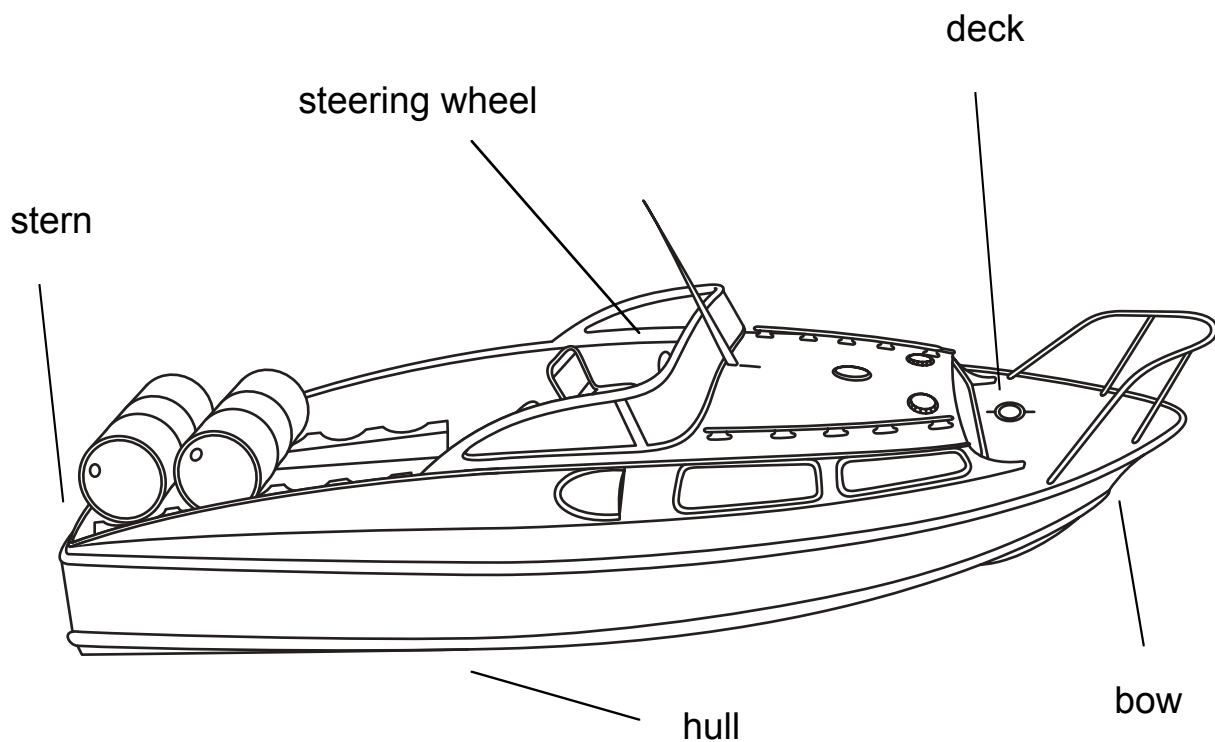


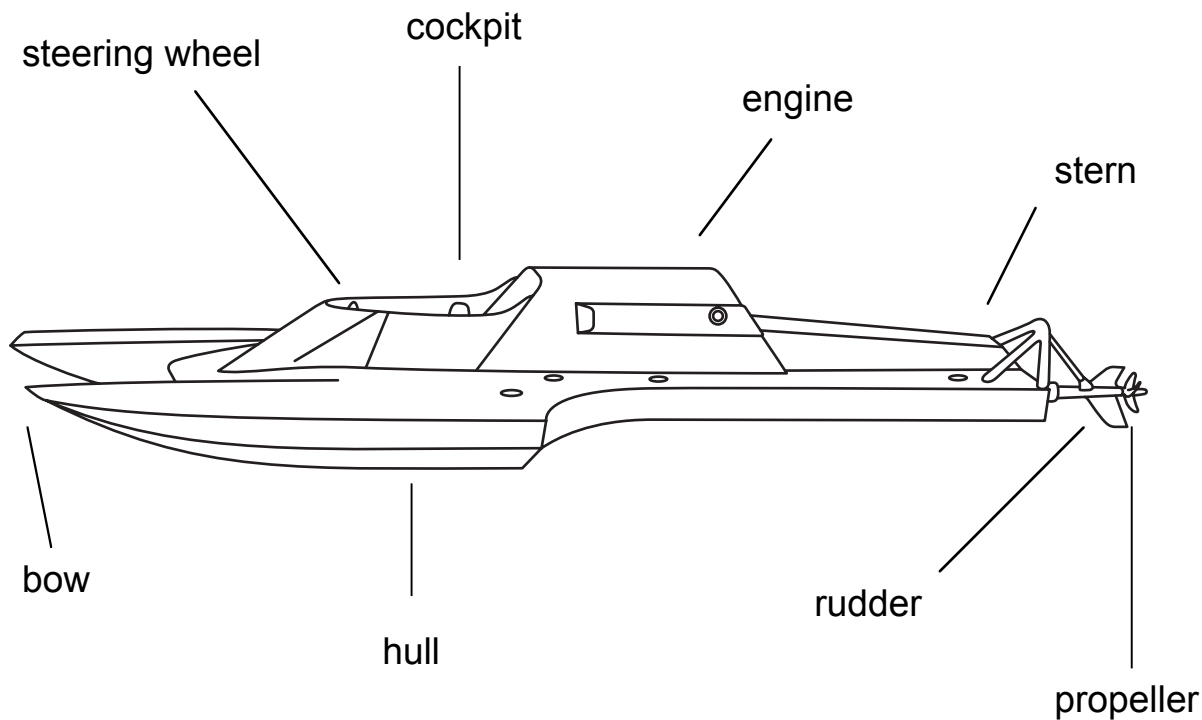
Please encourage the children to try and find the answers out themselves from looking at the boats and information around them. These notes are to help you do that.

### Fairey Huntress



Fairey Huntress appeared in the James Bond film *From Russia With Love* starring Sean Connery. There are oil drums tied to the rear of the boat and these would have held fuel. Her hull is a monohull.

**Miss Britain IV**



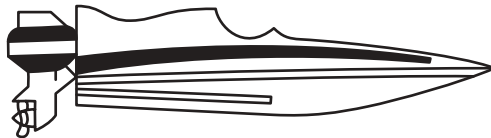
Miss Britain IV was built in 1982. She was designed to attempt the world diesel water speed record over a six mile course. She broke the record in November 1982 at Lake Coniston. She reached a speed of 124.24mph. The boat is a hydroplane. She was driven by Chris Kaye.

## The Safety Cell

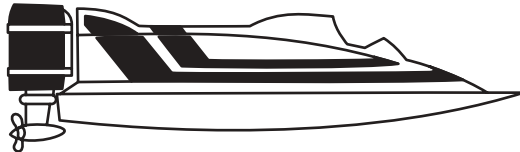
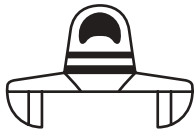
The safety cell was designed by a man called Chris Hodges after a friend of his was killed whilst powerboat racing. Powerboats race at speeds in excess of 120mph.

It is now mandatory to have a safety cell in the powerboat racing sport.

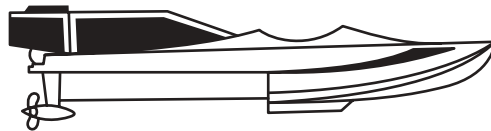
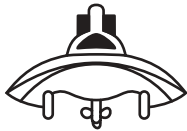
## Hull shapes



Monohull



Catamaran



Hydroplane

**Monohulls** - a flaring V-shape that helps the front section of the hull to rise out of the water at high speed.

**Catamarans** - only the rear hulls (and their propeller and rudder) stay wet at race speeds, making them the fastest class of racer.

**Hydroplanes** - the twin hulls create "lift". At full speed they become airborne. Only the back hull stays in the water.